

Print Template:

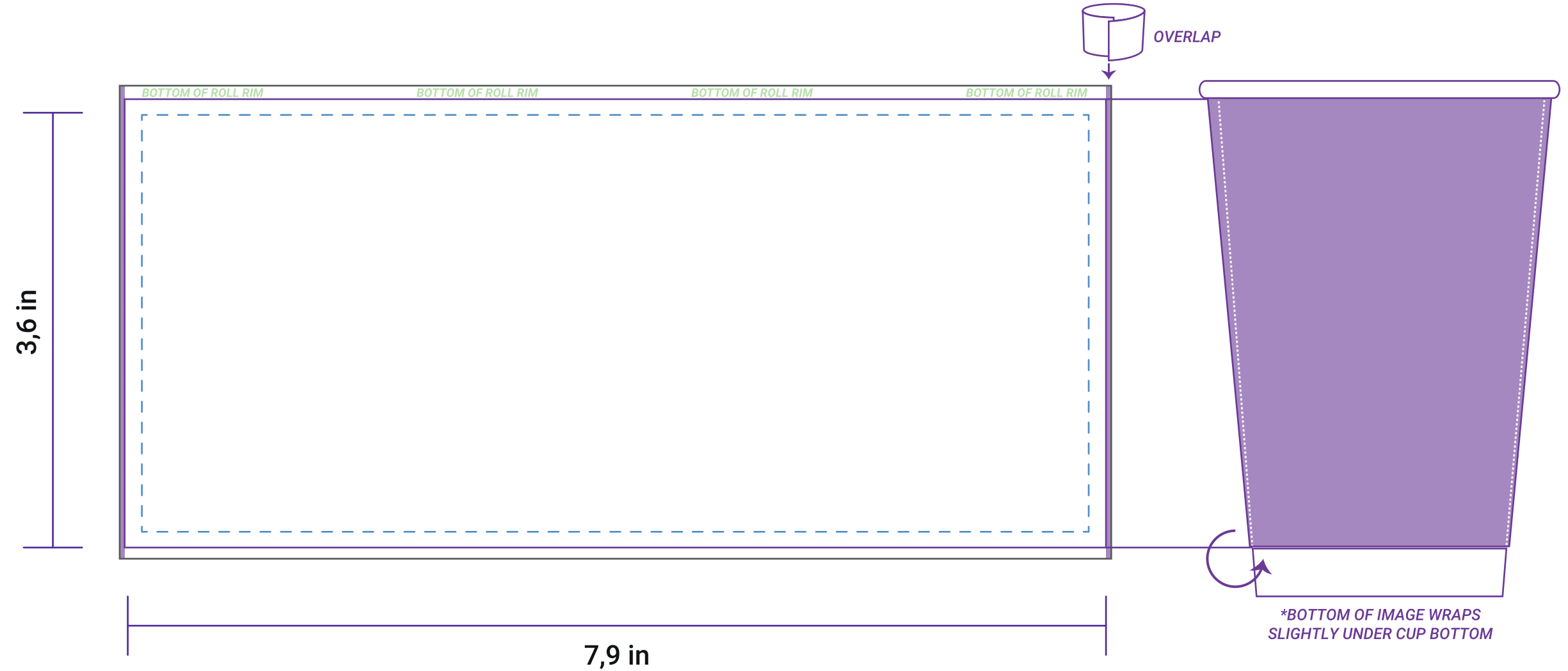
## Hot Cups Double Wall (12oz) - Stanpac

- 15pt White Paper
- Flexography - Lithography

### Artwork Set Up

*\*Make sure to apply the following printing requirements:*

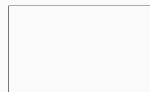
- Use **Pantone Uncoated** (For Flexo)
- Use **CMYK Colors** (For Litho)
- Images resolution: 300dpi
- Use vector art
- Convert all type to outlines
- Minimum font size: 6pt
- Minimum stroke weight: 1pt
- Build artwork on top of template on a separate layer.



### Color Sheet

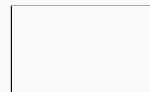
*\*Fill the color boxes with PANTONE U - Color Codes:*

Ink 1



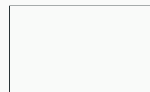
#: \_\_\_\_\_

Ink 2



#: \_\_\_\_\_

Ink 3



#: \_\_\_\_\_

#### ▪ Bleed Line



*\*This is the area where the background colour or graphics should cover if they are to be printed to the final edge of the product.*

#### ▪ Cutting Mark



*\*Where the finished product will be cut.*

#### ▪ Safe Line



*\*Any important text or graphics should be placed inside the dashed safe line.*