

Print Template:

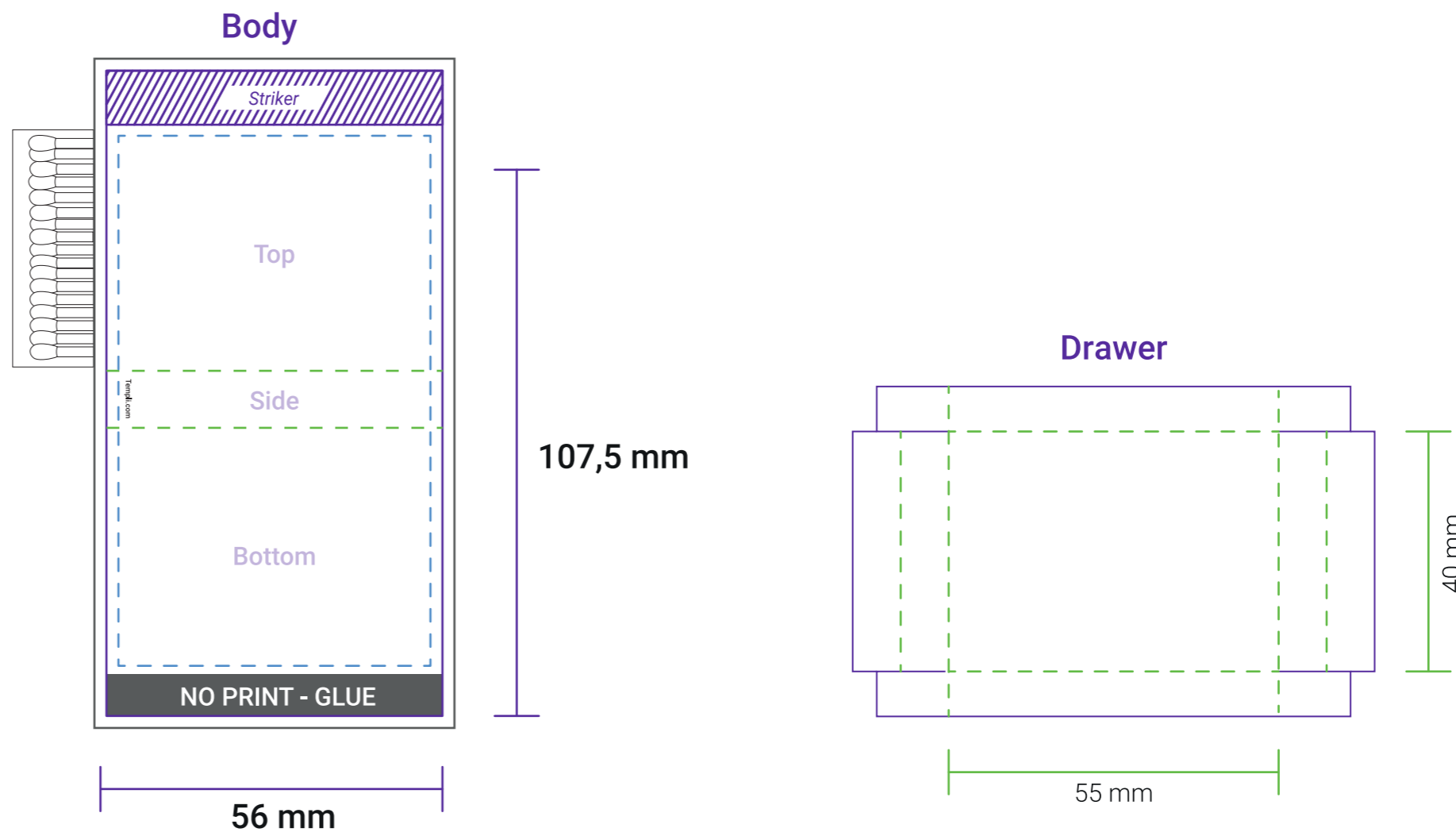
Capri Matchbox

- White match tip only
- 28-29 Matchsticks (2")

Artwork Set Up

**Make sure to apply the following printing requirements:*

- Use CMYK or PMS Uncoated
- Use Uncoated Pantone Book
- Use vector art
- Convert all type to outlines
- Minimum font size: 6pt
- Minimum stroke weight: 1pt
- Images resolution: 300dpi
- Create design in *ARTWORK* Layer



▪ Bleed Line

**This is the area where the background colour or graphics should cover if they are to be printed to the final edge of the product.*

▪ Cutting Mark

**Where the finished product will be cut.*

▪ Safe Line

**Any important text or graphics should be placed inside the dashed safe line.*

▪ Fold Line

